

ASSEMBLING INSTRUCTION

HX7 PARAF

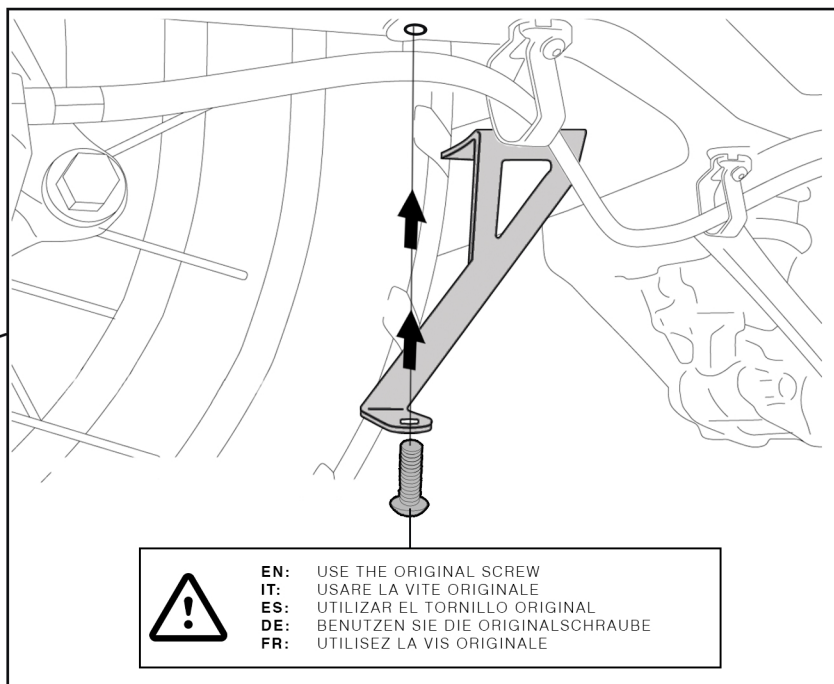
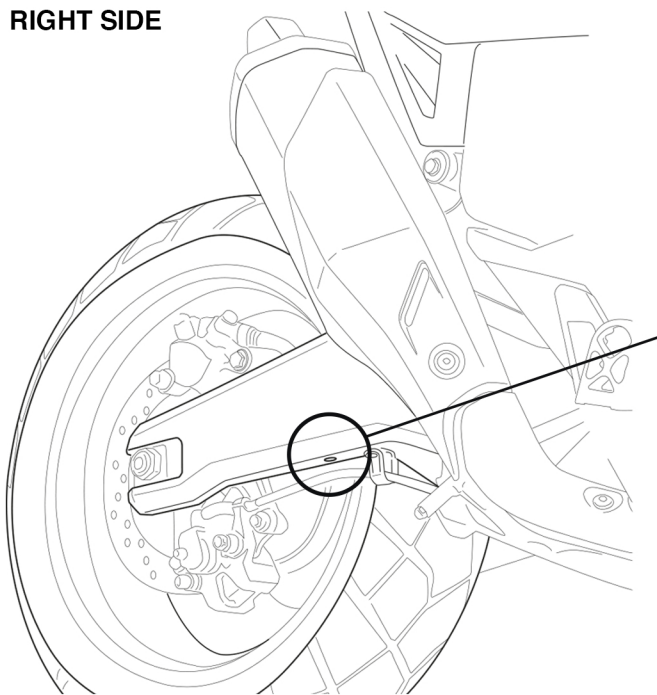
HONDA X-ADV

WWW.BARRACUDAMOTO.COM

LEGEND

- | | | |
|---|--|--|
| 1. SCREW M6X20
VITE M6X20
TORNILLO M6X20
SCHRAUBE M6X20
VIS M6X20 | 3. LARGE WASHER
RONDELLA LARGA
ARANDELA ANCHA
BREITE SCHEIBE
LARGE LAVEUSE | 5. TEFLON WASHER
RONDELLA IN TEFLON
ARANDELA DE TEFLÓN
TEFLONSCHLEIBE
RONDELLE EN TEFLON |
| 2. SPECIFIC THICKNESS
SPESSORE SPECIFICO
ESPACIADOR
ABSTANDSHALTER
ESPACEUR | 4. SCREW M5X10
VITE M5X10
TORNILLO M5X10
SCHRAUBE M5X10
VIS M5X10 | |

RIGHT SIDE



LEFT SIDE

